

Wall mount, type O 500



Secure hold without additional wall reinforcement of wooden and plasterboard walls. The type O 500 wall mount with VESA universal mount is the ideal solution for gypsum plasterboard walls.

Stable
The spring arm which is directly mounted to the wall bearing reduces the load at the wall so that an additional wall reinforcement will be dispensable.

Flexible assembly
1859 mm reach guarantee a simple assembly. Above the bed, beside the bed or offset to the

side – the wall arm type O 500 will find its proper place.

High quality workmanship
Large pivot areas, smooth running swivel arms and high quality material components such as glass fibre reinforced plastic or powdered stainless steel make our mounts particularly robust and long-lived.

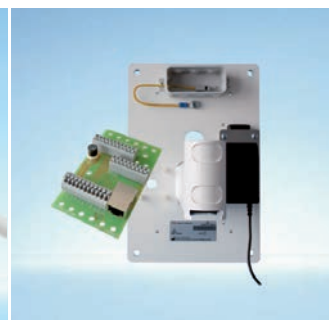
Advantages at a glance



VESA universal mount



Safe thanks to directly mounted spring arm



Connection accessories



Wall mount, type O 500

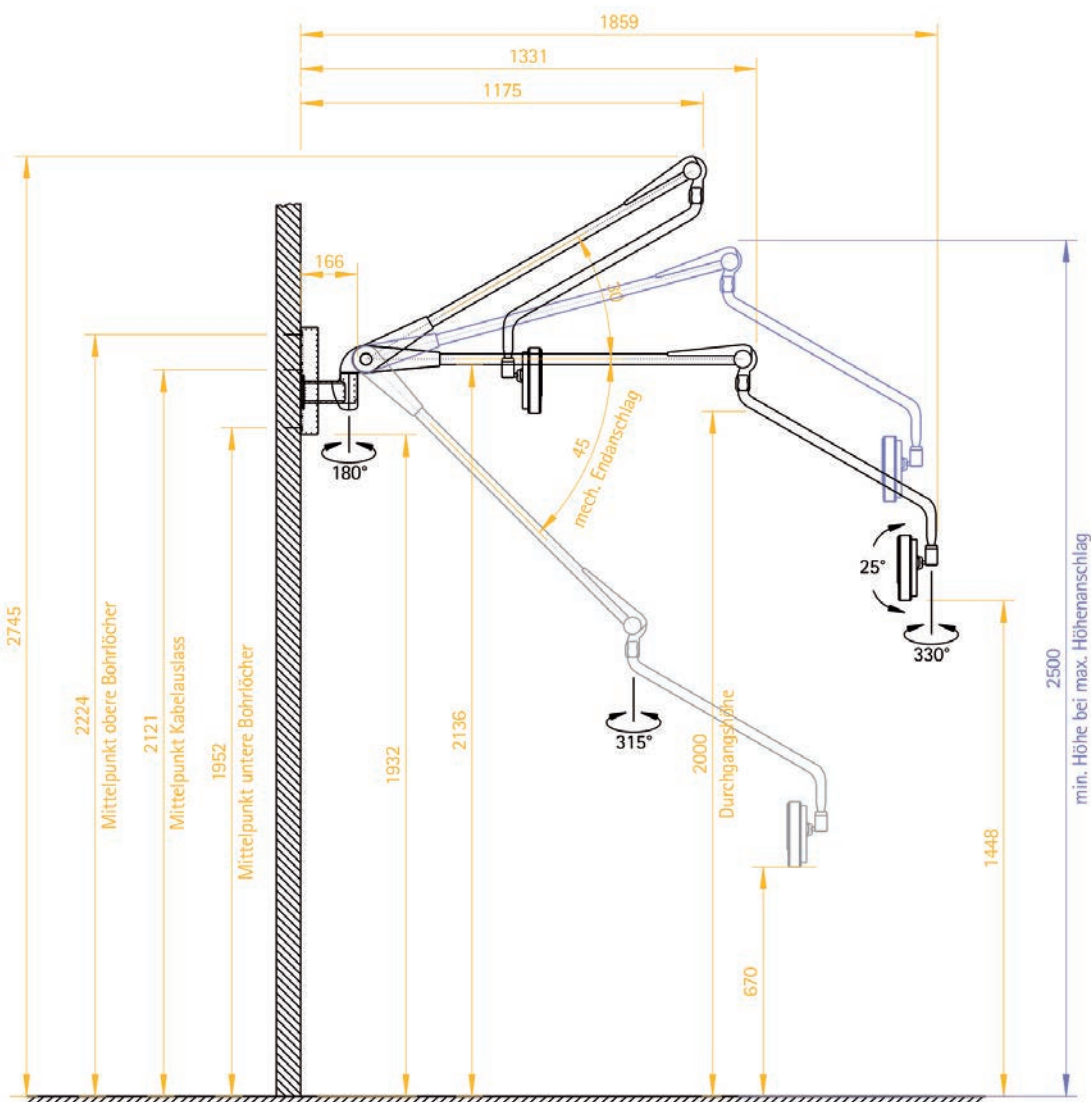
Wall arm, type O 500	
Wall arm with system connection cable	
Cable duct	integrated
Monitor adapter	VESA-II
Max. reach (mm)	1859/1175
Weight (g)	approx. 9000
Colour	RAL 9010

Wall bearing, type O 500	
Wall bearing, for taking up the wall arm	
Dimensions W x H x D (mm)	200 x 300 x 6
incl. plastic cover	
Dimensions W x H x D (mm)	208 x 312 x 55
Weight (g)	approx. 4000
Colour	RAL 9010

Clamp field board	
Electrical adapter board	
Assembly	tool-free (cage clamp)
Fuse	integrated

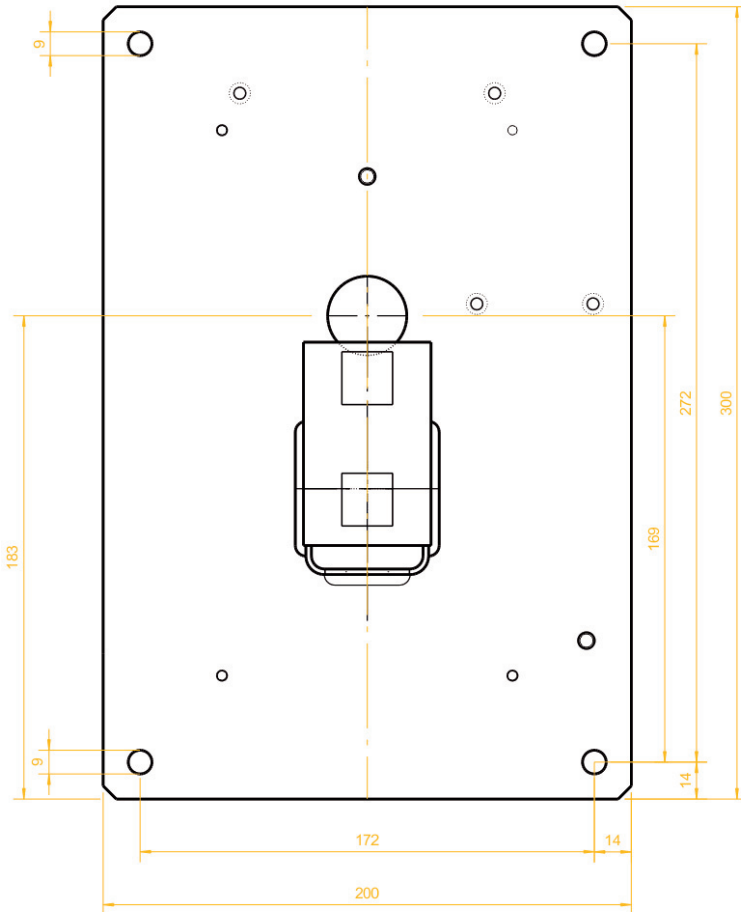
Recommended wall types	
Gypsum plasterboard walls	Drywall plasterboard or wood construction
Solid walls	Concrete, masonry

Assembly dimension wall arm



Wall mount, type 0 500

Assembly dimension wall bearing



For Sales and Support please contact your local Bewatec partner

Connexus Communications Limited
Unit D2
Baldonnell Business Park
Naas Road
Dublin 22
Ireland
T: 00 353 1 4105866, F: 00 353 1 4105867
info@connexus.ie
www.connexus.ie

